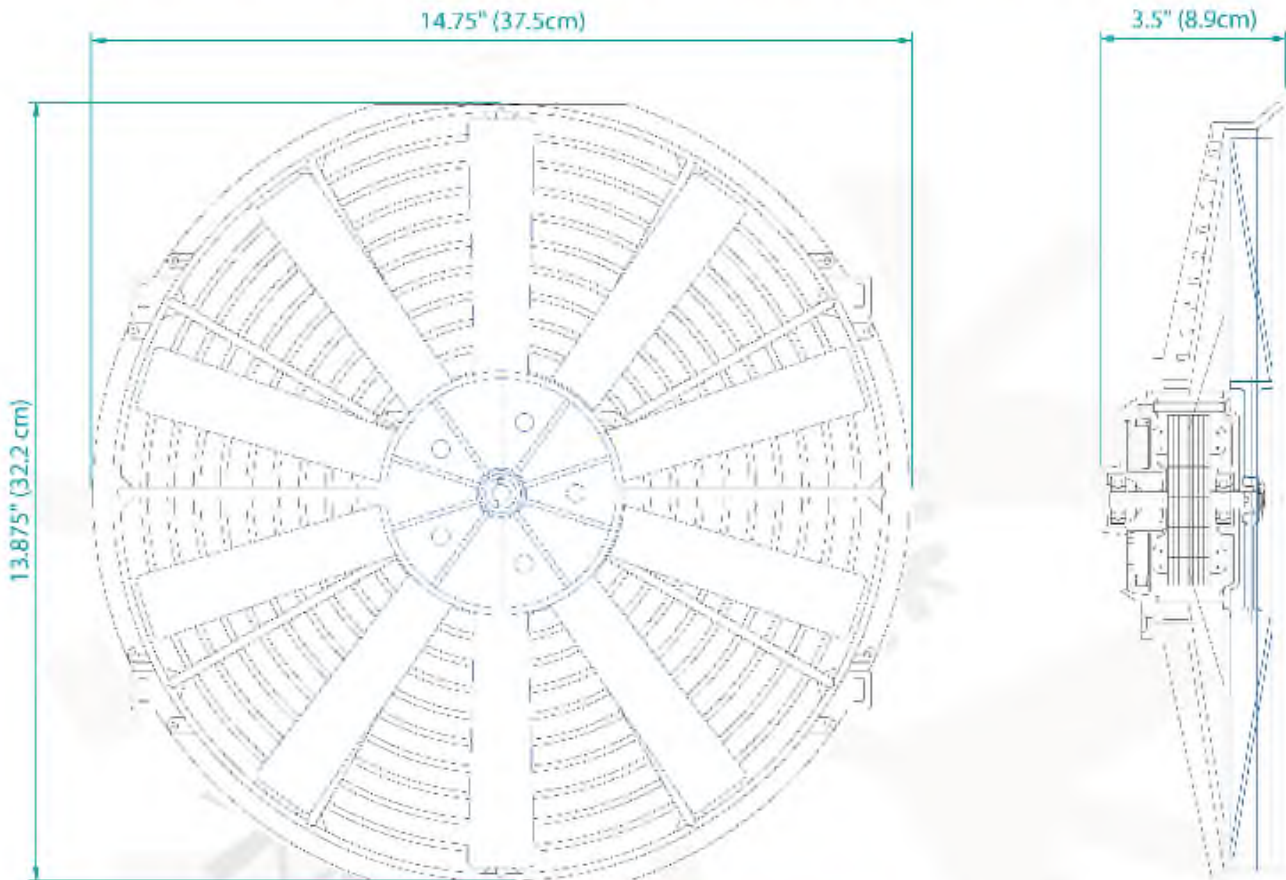
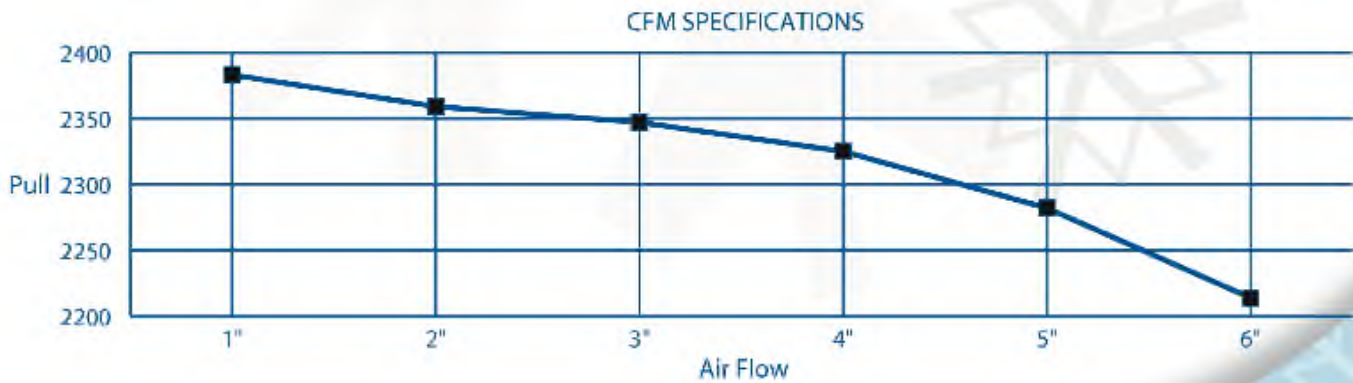


ZF14 • 14" High Performance Fan



12 Volt • 6.0±0.5A • 96W • 55W Output

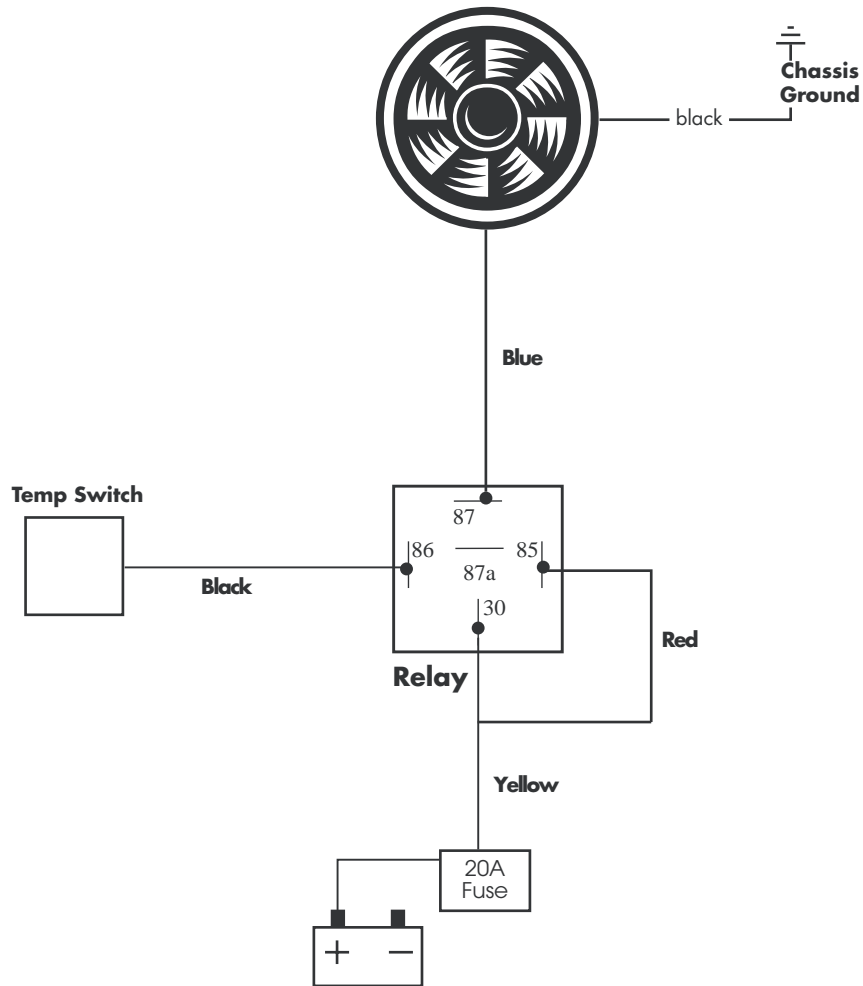


USER GUIDE AND INSTALLATION MANUAL TEMPERATURE SWITCH



Install Temperature Switch

- A. Connect post 87 (Blue Wire) on your relay to fan positive wire.
- B. Connect post 30 (Yellow Wire) on your relay to a 20A fused 12V power source.
- C. Connect post 86 (Black Wire) on your relay to your temperature switch.



WIRING DIAGRAM